



COOLEGE LUMINOUS CEILINGS FABRICATED LUMINAIRES - SUSPENDED CURVED CORNERS: SPECIFICATIONS

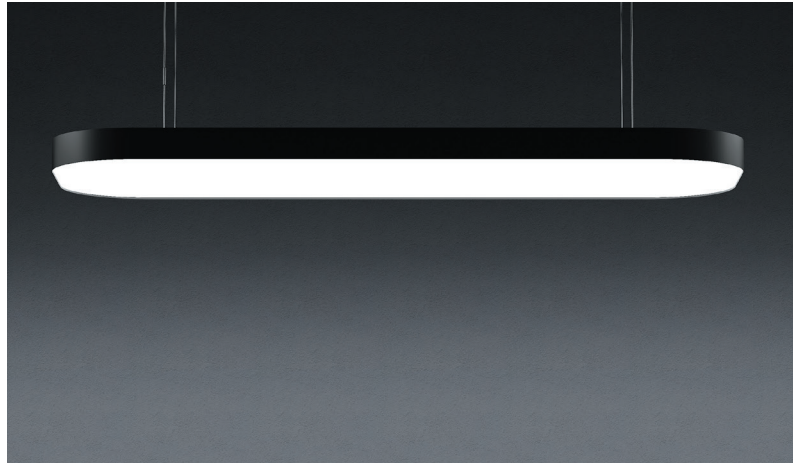
PROJECT		REFERENCE TYPE	
SPECIFIED BY		QUANTITY	
DATE		NOTE	Luminous Ceilings

DESCRIPTION

Cooledge FABRICated Luminaires are a simple, out-of-the-box way to incorporate the unique look and feel of a stretch fabric ceiling into your space.

Curved Corner FABRICated Luminaires combine all of the elements of architectural form with acoustic performance on a scale that delivers immersive illumination for:

- Lobbies, atriums, and indoor plazas
- Open plan offices and co-working spaces
- Shop-in-shop retail
- Showrooms



SIZES

Nominal Size
<p>Medium 4' x 10' 1200mm x 3000mm</p>
<p>Large 6' x 9' 1800mm x 2700mm</p>

GENERAL

Location	Indoor, dry location only
Operating Temperature	0 – 40°C (32 – 104°F)
Storage Temperature	-40 – +85°C (-40 – +185°F)
Relative Humidity	90% max (non-condensing)
Input Voltage	120-277 VAC
Diffuser Material	Woven Polyester Fabric (coated)
Frame Material	Aluminum
Fire Rating	ASTM E84 Class A/EN:3501-1 Class B
Noise Reduction Coefficient (NRC)	Standard: 0.75 (ISO Class C)



RoHS



Contact Cooledge for ordering information for JA8 compliant models.

Cooledge Lighting Inc.
110-13551 Commerce Parkway
Richmond, BC V6V 2L1 Canada

O +1 604 273 2665
F +1 604 273 2660
T +1 844 455 4448
W cooledgelighting.com

Cooledge Lighting reserves the right to change materials or modify the design of its product without notification as part of the company's continuing product improvement program.

COOLEDGE LUMINOUS CEILINGS FABRICATED LUMINAIRES - CURVED CORNERS: SPECIFICATIONS

PHOTOMETRICS

Size	Flux (lm)	
	Extra High (XHF)	High (HF)
Medium	19220	12820
Large	31140	20760

CRI (Ra)	>90
Color Uniformity (Typical)	2 SDCM
Lumen Maintenance (L80)	75,000 hr

TM-30-15 DATA

CCT	TNW*	3000K	3500K	4000K
Rf	90	89	88	85
Rg	99	97	97	95

*TNW = Tunable White 2700K-5700K (both channels @50%)

For more details about **FABRICated Luminaires** color rendering properties, please see "Light Quality Metrics" at www.cooledgelighting.com

POWER

Nominal Size	CCT	Extra High Flux (XHF)	High Flux (HF)
		Power (W)	Power (W)
Medium Nom. 4' x 10' Nom. 1200mm x 3000mm	TNW	338.7	228.0
	3000K	327.3	220.4
	3500K	321.8	214.9
	4000K	313.6	208.9
Large Nom. 6' x 9' Nom. 1800mm x 2700mm	TNW	528.5	353.7
	3000K	508.6	341.7
	3500K	499.8	332.8
	4000K	489.2	323.6

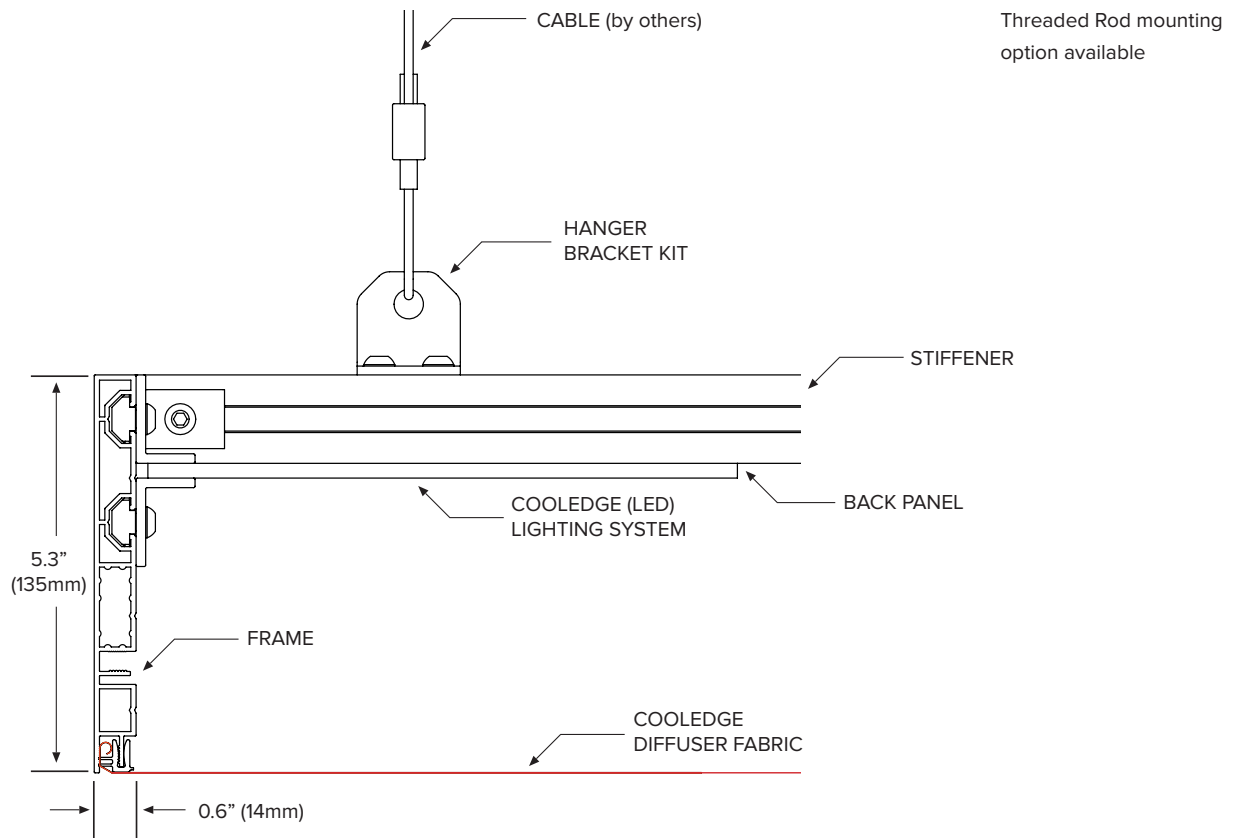
COOLEEDGE LUMINOUS CEILINGS FABRICATED LUMINAIRES - CURVED CORNERS: SPECIFICATIONS

DIMENSIONS

Size	Order Code	External Dimensions – diameter (in/mm)	Weight (lb/kg)	# Mounting Points
Medium	FLS-CCM	46.3 x 117.2 / 1176 x 2976	83.3 / 37.8	4
Large	FLS-CCL	74.6 x 110.1 / 1896 x 2796	114.9 / 52.1	4 (Threaded Rod = 6)

Height = 5.3"/135mm

MOUNTING DETAILS



COOLEdge LUMINOUS CEILING FABRICATED LUMINAIRE - CURVED CORNERS: SPECIFICATIONS

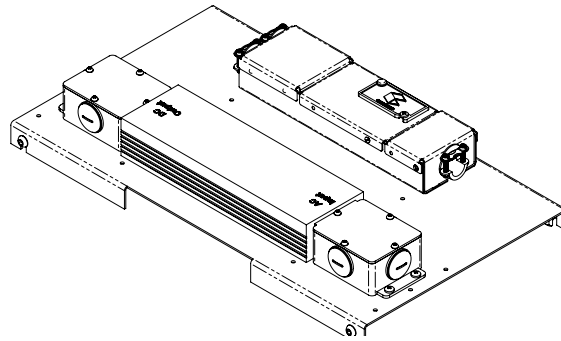
NOISE REDUCTION

Cooledge Curved Corner FABRICated Luminaires are unique in combining high quality, immersive illumination with sound absorption characteristics. In open concept areas FABRICated Luminaires can reduce or eliminate the need for additional sound absorbing materials such as baffles or clouds – especially useful where stone or tile floors are used.

NRC Value	Sound Absorption Class	Order Code Reference
0.75	Class C	"C"

NOTE: Contact Cooledge for NRC = 1.0 (class A) options

POWER AND CONTROL MOUNTING



Power Supply with Cooledge Control Module

Actual power & control configuration is determined by the luminaire model.

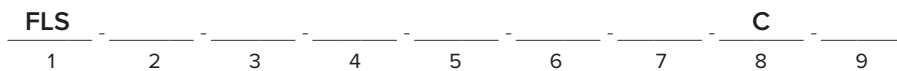
**Power & Control Mounting Plate
(shipped in a separate package)**

FABRICated Luminaires offer two choices for locating the power and control components:

- **Integrated:** the mounting plate containing the power supply and control module may be secured to the top of the luminaire. AC electrical connections are made directly to the power supplies at the luminaire
- **Remote Mounted:** the mounting plate can be located remotely in a location that may be more suitable for AC electrical connection or for maintenance access (see www.cooledgelighting.com or contact Cooledge for remote distance wiring requirements)

Mounting Plate Dimensions: 16.5" x 9.4" / 420mm x 239mm

HOW TO ORDER



Static CCT

1 PRODUCT	2 NOM. SIZE	3 FLUX	4 CCT	5 MOUNTING	6 DIMMING	7 FINISH	8 NRC	9 CERTIFICATION
FLS = FABRICated Luminaire -Suspended	CCM = Curved Corner CCL = Curved Corner Large	HF = High Flux XHF = Extra High Flux	30 = 3000K 35 = 3500K 40 = 4000K	AC = Aircraft Cable TR = Threaded Rod	010 = 0-10V (1%) DAL = DALI/0-10V (0.05%) DMX = DMX (0.05%) CAS = Casambi (Wireless – 0.05%)	B = Black W = White	C = 0.75	U = cUL C = CE

Tunable White

1 PRODUCT	2 NOM. SIZE	3 FLUX	4 CCT	5 MOUNTING	6 DIMMING	7 FINISH	8 NRC	9 CERTIFICATION
FLS = FABRICated Luminaire -Suspended	CCM = Curved Corner CCL = Curved Corner Large	HF = High Flux XHF = Extra High Flux	TNW = Tunable White (2700K-5700K)	AC = Aircraft Cable TR = Threaded Rod	DAL = DALI/0-10V (0.05%) DMX = DMX (0.05%) CAS = Casambi (Wireless – 0.05%)	B = Black W = White	C = 0.75	U = cUL C = CE

COOLEdge LUMINOUS CEILINGs FABRICATED LUMINAIREs - CURVED CORNERs: SPECIFICATIONs

WELL STANDARD (V2)

Cooledge FABRICated Luminaires enhance the user experience of spaces by delivering immersive illumination that impacts not only the visual, but also the emotional and physiological, response of people. New standards that define requirements for promoting design that enhances well-being are emerging. One of those standards, WELL v2, includes 8 “features” for lighting design that define requirements for the quality and composition.

The following data is provided to assist designers in determining compliance with the WELL v2 standard when incorporating **Cooledge FABRICated Luminaire**s in their design.

Feature L03: Circadian Lighting Design

This feature requires a calculation of Equivalent Melanopic Lux (EML):

$$EML = \text{Photopic Lux} \times \text{Melanopic Ratio}$$

Melanopic Ratio for FABRICated Luminaire

	TNW*	3000K	3500K	4000K
Melanopic Ratio**	0.704	0.517	0.620	0.779

*Tunable White: 2700K @ 50% + 5700K @ 50%

**Calculated using the IWBI Melanopic Ratio calculator

Feature L04: Glare Control

This feature requires maximum values for different types of glare measurements.

Compliance requirement (d): Luminance < 10,000 cd/m² between 45°-90° from nadir

Maximum Luminance for FABRICated Luminaire

	High Flux (HF)	Extra High Flux (XHF)
Maximum Luminance* (cd/m ²)	1465	2200

*Maximum occurs at 45°

Feature L07: Electric Light Quality – Part 1 Ensure Color Rendering Quality

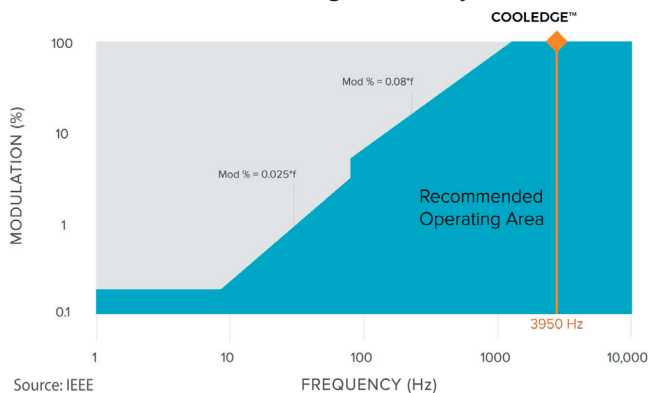
This feature requires minimum values for color rendering.

Compliance requirement (a): CRI > 90

CRI (Ra) for FABRICated Luminaire

	TNW*	3000K	3500K	4000K
CRI (Ra)	96	93	93	93

Feature L07: Electric Light Quality – Part 2 Manage Flicker



For LED-based luminaire, this feature requires specific values for the combination of frequency and modulation.

Compliance requirement: Meet IEEE 1789-2015 Standard Practice Recommendation

Source: IEEE